

CATALOG

2013

stovv

A STATE OF MIND

Stûv, a state of mind !

Since it was established in 1983, Stûv* has endeavoured to provide a contemporary vision of wood-burning stoves. The subtle stylishness and elemental design of the first Stûv stoves heralded the minimalist philosophy which prevails today.

Stûv has always attached great importance to the functional aspects of its stoves, and is responsible for numerous innovations which have profoundly influenced the world of wood-burning stoves.

Today, more than ever, Stûv is looking for innovative solutions to integrate renewable energies into the heating systems of tomorrow.

That is the mindset of Stûv.

You will find out more in the pages that follow.

* Stûv is a Walloon word meaning "stove", which is related to the French word "étuve", the Flemish "stoof", the German "Stövchen", the Italian "stufa", and the Spanish and Portuguese "estufa", ...

Stoves

4 - 25

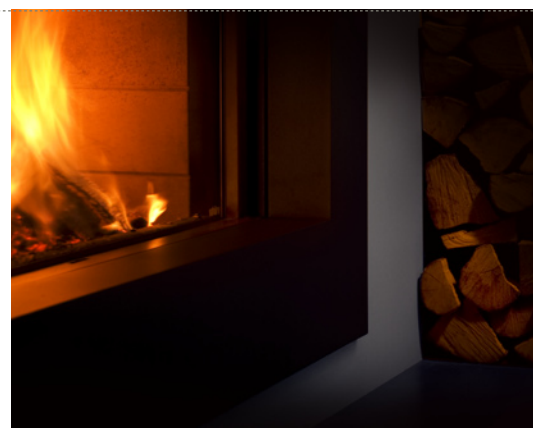
- *Stûv 16-cube*
- *Stûv 16-H*
- *Stûv 30*
- *Stûv 30-up*
- *Stûv 30-compact*
- *Stûv 30-compact H*



Fitted stoves

26 - 55

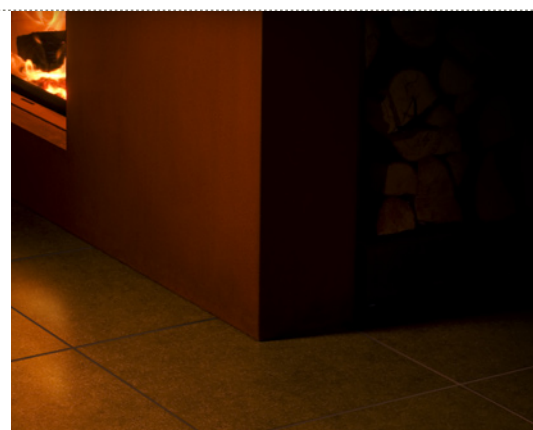
- *Stûv 16-in*
- *Stûv 21*
- *Stûv 30-in*
- *Stûv 30-compact in*



Ready-to-fit fireplaces

56 - 73

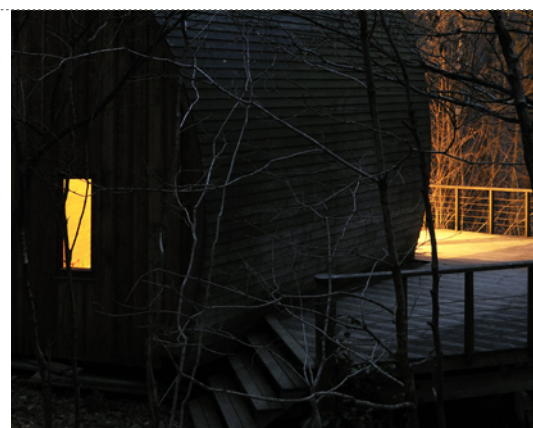
- *Stûv 21*
- *Stûv 30-in*
- *Stûv 30-compact in*



Heating with wood...

74 - 83

- *The Stûv best suited to your home*
- *Conditions for correct operation*
- *Which wood to choose?*
- *The company*





-
- *The Stûv 30 range*
 - *The Stûv 16 range*



Stoves

A free-standing and independent wood-burning stove that can be installed in a few hours, even in a house that has already been built, since all that needs to be done is to connect it to the chimney flue.

The Stûv 30 range

Revolutionary... 3 models in 1!

- > 3 turning doors, glass-door fire, open fire and slow burner - whichever you prefer
- > Clean lines and subtle curves that magnify the view of the fire
- > You can change the direction of the stove within the room, since it is mounted on a turntable
- > High efficiency
- > Ease of installation



▲ Stûv 30-compact



▲ Stûv 30-compact H



▲ Stûv 30-up



▲ Stûv 30



What people say about it...

For the residents of this contemporary house, the choice of the Stûv 30 came naturally:

"In winter, we needed an additional heat source to heat this large living space of 60m².

We placed the stove in the middle of the room, so that we could easily direct it towards one side or the other. It divides the space into a «living room» on one side and «dining room» on the other, without disrupting the loft effect that we wanted for our home. We got used to it very quickly and at first we were surprised to see that our guests did not always notice this new presence! It's as if the Stûv 30 had always been part of the house!"

Céline C., Chastre (Belgium)

▼ Stûv 30 in slow-burn mode ...



... in glass-door mode ►





▲ ... in open fire mode
Realisation Michaël Fraipont - Photo Atelier Blink & Jacky Lecouturier

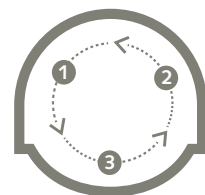


▲ Stúv 30-compact H

Glass-door, open fire and slow-burn: 3 in 1!



▲ All the stoves in the Stuv 30 range allow three modes of operation




Which one you choose is up to you!

To change mode of operation, you have chosen, all you have to do is bring the door of your choice in front of the stove opening by rotating the drum. This operation takes just a few seconds.

1. In glass-door mode, you will enjoy the view of the flames in complete safety with excellent efficiency. This ensures economical and environmentally-friendly operation.

2. In slow-burn mode, the solid door - with reinforced sealing - allows the fire to burn gently for a long period of time. It masks the combustion chamber when the fireplace is not being used.

3. In open fire mode, you can hear the crackling of the fire, enjoy the aroma of an open fire and even have a barbecue!



The Stûv 30-compact: stoves suitable for low-energy or smaller homes

Most stoves currently available on the market are too big to install in energy-efficient, better insulated homes. As a result, optimal use is not made of these excessively powerful stoves: using them at a lower rate reduces their efficiency and means combustion is less clean.

Outstanding performance

The smaller combustion chamber made of cast-iron maintains a temperature conducive to clean combustion.

Combustion air

Low-energy homes are more airtight, so Stûv designs its new stoves so that they can draw in their combustion air from outside the room.

This system has several advantages:

- > there are no cold draughts in the room,
- > the stove does not consume the ambient air.

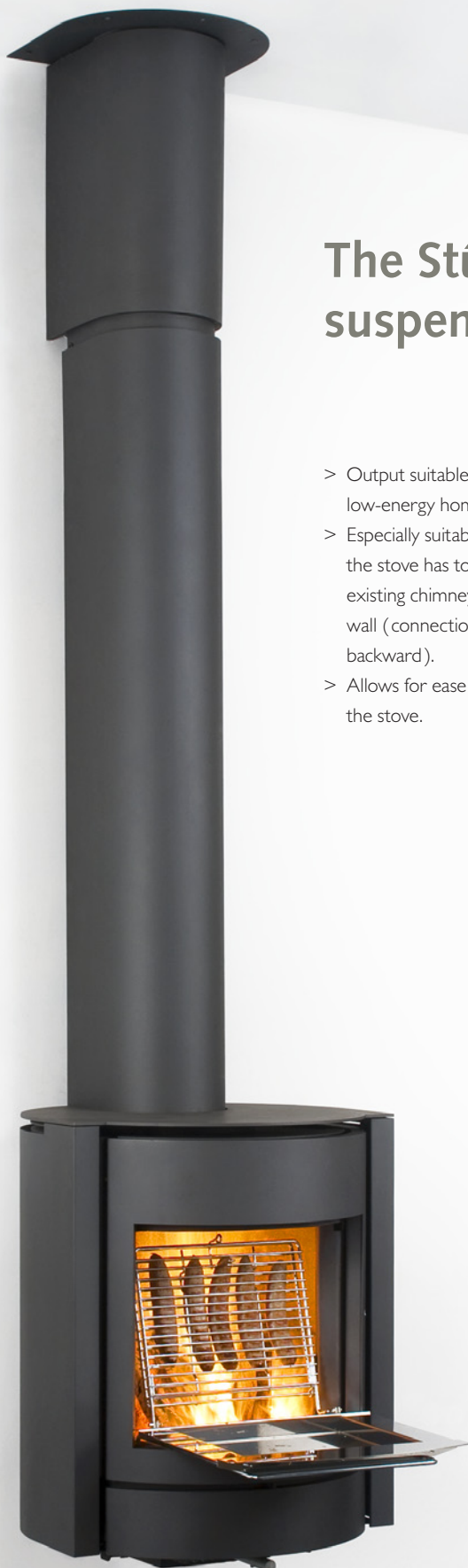
- ★ 3 modes: glass-door, open fire and slow-burn! (see p.11)
- ★ Direct outside air intake (intake from below)
- ★ Turntable
- ★ Barbecue kit (see p. 73)
- ★ Ground plate



The direction of the stove!

A turntable – fitted as standard – enables you to choose the direction of your stove to distribute heat where you want. This system allows rotation through 360°. If required, the installation engineer can restrict the angle of rotation to 90°, 180° or 270° to prevent the stove from being directed towards the wall or an adjacent item of furniture ...





The Stûv 30-up, suspended on the wall

- > Output suitable for small spaces or low-energy homes.
- > Especially suitable in situations where the stove has to be connected to an existing chimney flue and close to the wall (connection can lead upward or backward).
- > Allows for ease of cleaning under the stove.

An outside intake for combustion air can be connected directly to the stove to avoid using up the air from inside the room. The air is taken in from underneath or from the rear. The smoke flue is integrated into a convection stack.

- ★ 3 modes: glass-door, open fire, or slow-burn! (see p. 11)
- ★ Direct outside air intake (rear or underneath)
- ★ Barbecue kit (see p. 73)

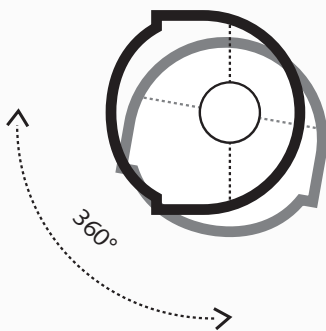
The Stûv 30: timeless!

Its reputation is firmly established!

It was the first stove that could work with a glass door, as an open fire or in slow-burn mode. Its heat output and exceptional efficiency make it particularly suited for large spaces or traditional homes.

The Stûv 30 can be mounted on an (invisible) turntable – that enables you to direct it within the room when you want to do something different. Please note: this function is incompatible with the flue outlet to the rear.

- ★ 3 modes: glass-door, open fire and slow-burn! (see p. 11)
- ★ Turntable (available as an option)
- ★ Smoke outlet to the rear (available as an option)
- ★ Barbecue kit (see p. 73)
- ★ Ground plate



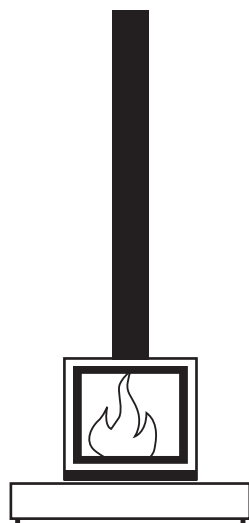
The Stûv 16 range

The pleasure of a fire... in style!

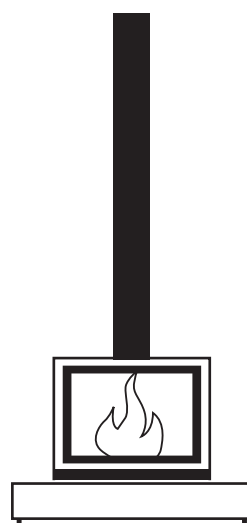
- > Clean lines that magnify the view of the fire (operating exclusively behind closed doors)
- > Advanced combustion principles to achieve very high performance
- > Extensive potential for customisation – various widths, bases in various colours – to blend your stove with your style of interior
- > Ease of installation
- > Suitability for low-energy houses



▲ Stûv 16/58-cube



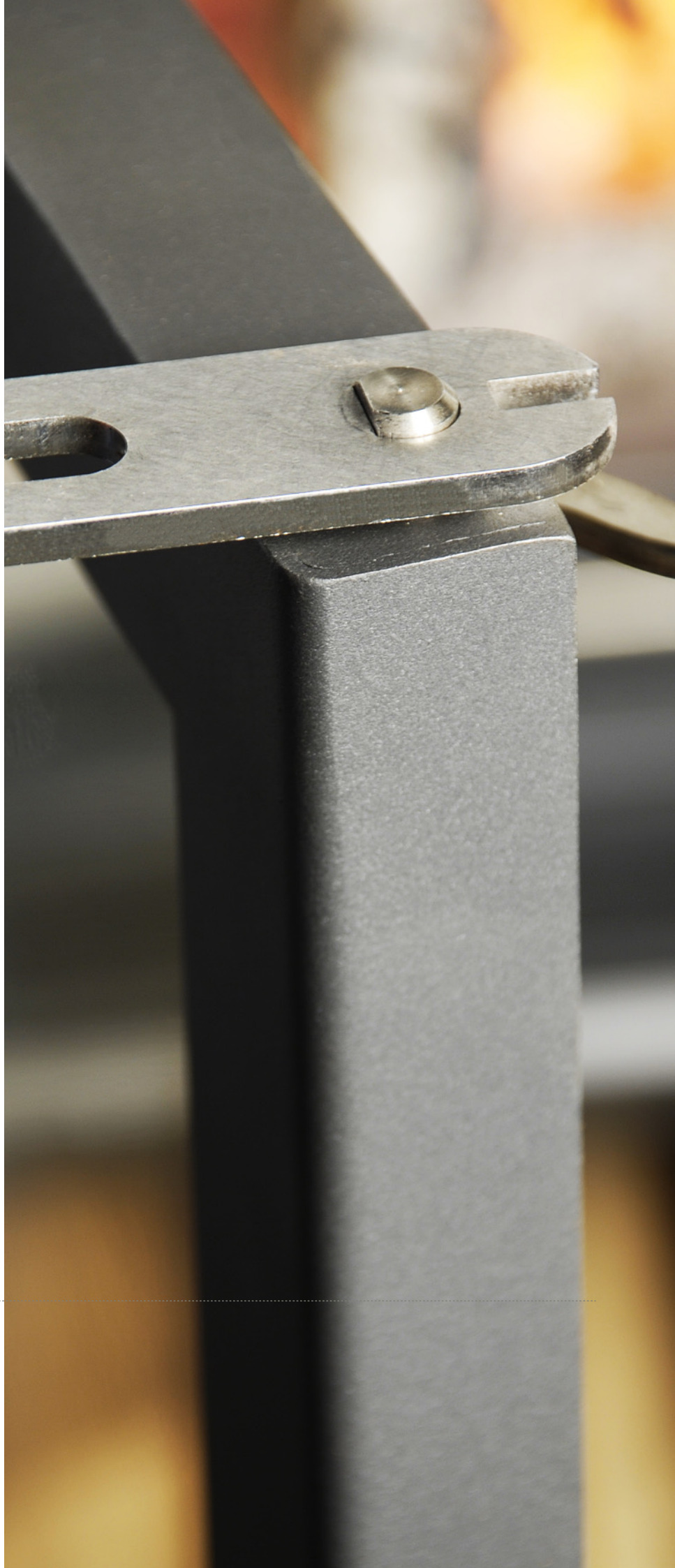
▲ Stûv 16/68-cube



▲ Stûv 16/78-cube



▲ Stûv 16/58-H



▲ Stúv 16/68-H



▲ Stúv 16/78-H

What people say about it...

The owner of this house is also the architect for this project. He designed the building and the interior:

The Stûv 16-cube, with its minimalist geometric shapes and small size, easily fitted onto this low cabinet among the other objects there.

"It's really become a new focal point in our house around which the whole family gathers cosily. It's the place to sit snugly with a good book, and the children are always playing around it. It serves us well in the depths of winter as well as during the early and late cold snaps that Mother Nature always has in store ..."

Peter D., Deinze (Belgium)





▲ Stûv 16/68-cube - Realisation Decosud - Architect Peter Degrande - Photographer Philip Van Ootegem

The Stûv 16-cube, pleasant, economical and efficient!

- > The Stûv 16-cube is equipped to draw the air required for combustion from outside: when connected in this way, its operation is not disturbed by a ventilation system, thus enabling more even heat distribution.
- > It improves the circulation of warm air in the room.

Ease of installation

It can be integrated into a state-of-the-art heating and ventilation system, but also installed in a very simple way. The basic Stûv 16-cube does not even require an electrical connection as it operates without a fan, using natural convection; if fitted with a fan, its efficiency increases by a further $\pm 7\%$.

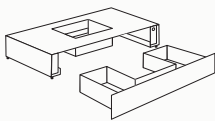


- ★ It only operates in closed-door mode!
- ★ We recommend that you use dry wood with a moisture content of $< 20\%$.

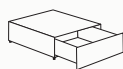
The Stûv 16-cube and its modular bases

Designed to accommodate a Stûv 16-cube, these units provide a practical, streamlined and elegant solution.

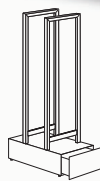
- > The units are available in 3 widths and in 20 colours, with an impeccable finish and easy to clean.
- > They offer additional invisible storage space.
- > They have adjustable feet to ensure perfect alignment where the floor is uneven.
- > The log trolley can be moved to suit your needs. You can wheel it to the front door, load it up and then transport the wood back to your stove!



- > 120 cm unit designed to support a stove fitted with a fan and/or connected to a duct to draw in outside air.



- > This 60 cm unit can only accommodate a Stûv 16/58-cube without a fan.



- > The 46 cm log holder is also fitted with a drawer.

- > Using 1, 2 or 3 bases, depending on the space you wish to create, you can play with the different base sizes, as well as harmonising shades of a single or different colour. Create the fireplace of your choice!

The Stûv 16-H and its integrated log holder

The Stûv16-H is designed to draw the air required for combustion directly from outside: when connected in this way, its operation is not disturbed by the ventilation system (e.g. the cooker hood) and does not use up the ambient air.



Integrated log holder

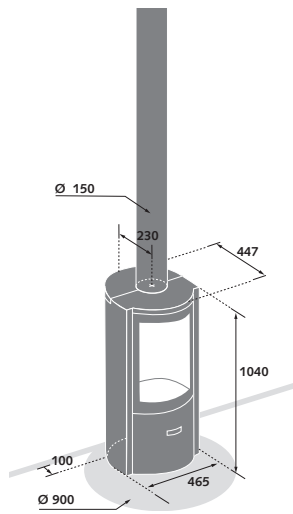
This integrated log rack ensures your stove's surrounds always remain clean and tidy.

The base has a bottom which ensures the floor is always kept clean.

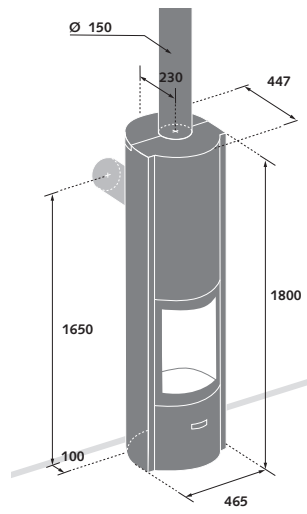
The Stûv 16 range was designed to meet low-energy criteria. Only the smallest size (58 cm wide) is ideally suited for this type of home. Other models, due their size and higher heating output, are more appropriate for heating larger spaces and traditional, less well-insulated homes.

- ★ It only operates in closed-door mode!
- ★ We recommend that you use dry wood with a moisture content of < 20%.

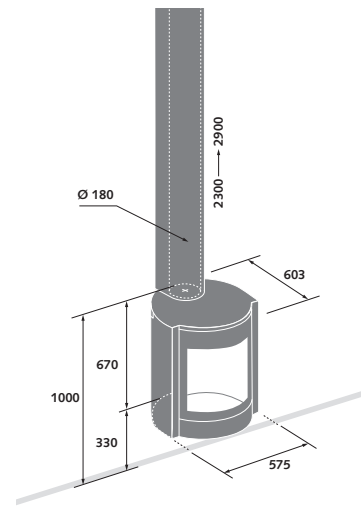




Stuv30-compact



Stuv30-compact H



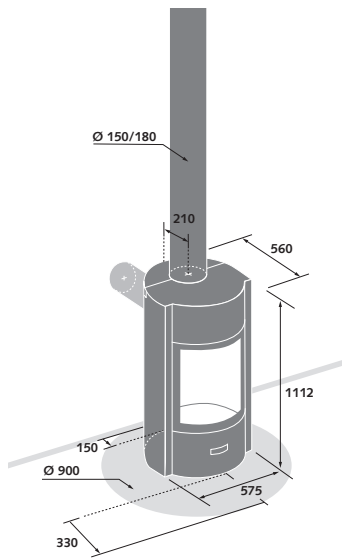
Stuv30-up



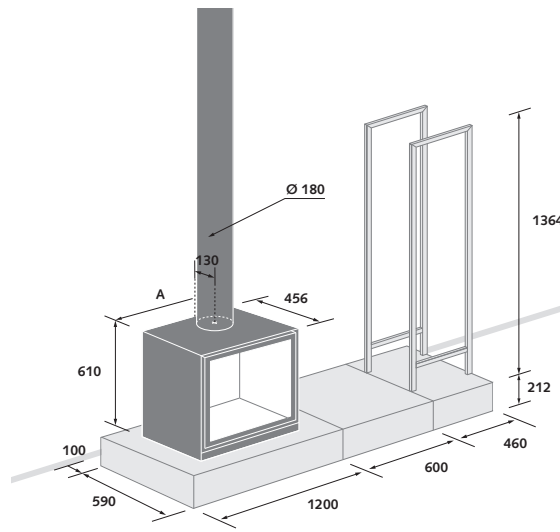
	30-compact	30-compact H	30-up	30
system weight - kg	114	153	151	115
power range - kW	3 - 9	3 - 9	5 - 9	6 - 12
(*) wood consumption - kg/h	0,8 - 2,5	0,8 - 2,3	1,3 - 2,4	1,5 - 3,7
efficiency - %	> 80	> 85	84	84
CO emissions - %	< 0,09	< 0,10	< 0,09	< 0,09
(**) particle emissions (c) - mg/Nm ³	18	19	< 25	34
length of logs V / H - cm	40 / 25	40 / 25	33 / 33	50 / 33
outside air intake - Ø mm	63	63	63	-
turntable	S	S	-	O
barbecue kit	O	O	O	O
3 modes of operation	S	S	S	S
smoke outlet upwards	S	O	S	O
smoke outlet to the rear	-	O	-	O
outside air connection	O	O	O	-

* at 12% humidity
 ** measurement method based on DIN +
 V / H = vertical position / horizontal position
 O = option
 S = standard

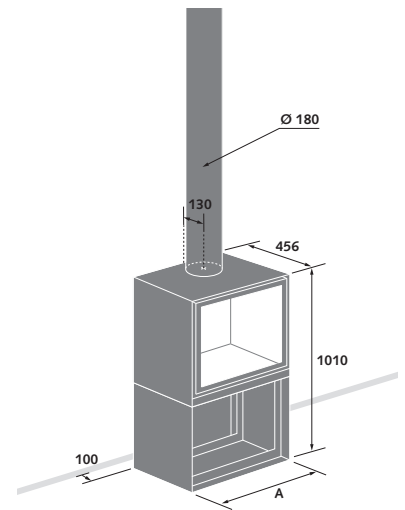
★ All Stuv stoves are designed to burn wood with a humidity level of less than 20%.
 ★ All Stuv stoves were tested according to EN 13240 CE



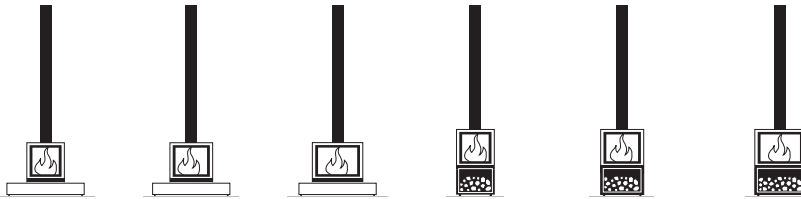
Stuv30



Stuv16-cube with its bases



Stuv16-H



16/58-cube	16/68-cube	16/78-cube	16/58-H	16/68-H	16/78-H
105	113	121	136	147	158
6 - 9	7 - 11	8 - 12	6 - 9	7 - 11	8 - 12
1,7 - 2,5	2 - 3,2	2,4 - 3,6	1,7 - 2,5	2 - 3,2	2,4 - 3,6
80	77	75	80	77	75
< 0,09			< 0,09		
73	72	70	73	72	70
- / 40	- / 50	- / 60	- / 40	- / 50	- / 60
63			63		
o	o	o	-	-	-
-	-	-	o	o	o
o	o	o	-	-	-
s	s	s	s	s	s
o	o	o	o	o	o
580	680	780	580	680	780
448	548	648	448	548	648
421	421	421	421	421	421
520	620	720	520	620	720
493	493	493	493	493	493

system weight - kg

power range - kW

(*) wood consumption - kg/h

efficiency - %

CO emissions - %

(**) particle emissions (c) - mg/Nm³

length of logs V / H - cm

outside air intake - Ø mm

base

wood holder

additional fan

smoke outlet upwards

outside air connection

(A) width - mm

window width - mm

window height - mm

width of opening - mm

height of opening - mm



Fitted stoves

This is the ideal solution for people carrying out building (or renovation) work and who would prefer to have a stove integrated into the architecture. It almost disappears to emphasize the effect of the fire. The stove's subtle design prevents it from clashing with the style of decor, allowing complete individuality.



-
- *The Stûv 16 range*
 - *The Stûv 21 range*
 - *The Stûv 30 range*

The Stûv 16 range

An ideal solution ?

- > Clean lines to magnify the beauty of the flames
- > Impressive combustion and very high efficiency rating
(possible to further increase the efficiency by adding a fan)
- > Perfect integration into an existing hearth or a new fireplace
- > 3 sizes available
- > Ease of installation
- > Suitable for low -energy houses



▲ Stûv 16/58-in

▲ Stûv 16/68-in

▲ Stûv 16/78-in



What people say about it...

"We had a very clear idea of the concept, and the dealer we went to see gave us good advice: he was the one who advised us to choose a Stûv 16-in and he outlined the plan and the project. We wanted an economical stove and had not heard of the Stûv brand!

Our project includes a storage space for logs beside the fire, because it's both practical and elegant. The stove is really easy to use; we use it mainly at night when it's cold outside. The living room warms up quickly and we have never had any problems with escaping fumes...

We also chose to add a fan for optimal efficiency.

We are now convinced and satisfied customers, especially as the design of Stûv stoves is well suited to our minimalist interior".

H. family, Bruges (Belgium)





▲ Stûv 16/78-in - Realisation and photo Vandierendonck & Vandierendonck

Stûv 16-in: a simple and efficient fitted stove!

It is pre-equipped to:

- > draw in the air required for combustion from outside thus avoiding using room air,
- > improve the warm air circulation in the room, keeping the temperature even,
- > pulsing hot air towards an adjacent room and/or taking in fresh air from it.



- ★ It only operates in closed-door mode!
- ★ We recommend that you use dry wood with a moisture content of <20%.

Stûv 16-in: framing the fire!

Stûv offers three solutions for the finish between the stove and the brickwork



▲ A slimline frame to hide the thickness of the wall



▲ A flanged frame used to hide the contours of the recess

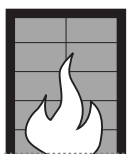


▲ A customisable frame to attach the decorative elements of your choice (a stone surround, for example)

The Stûv 21 range

Focusing on the fire!

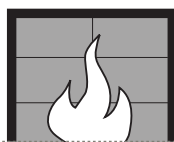
- > Subtle, stylish lines to look good (retractable glass)
- > Provide performance and high efficiency
- > Customising to your heart's desire: 6 different formats, frames, fronts and fireplaces to install
- > Single or double sided
- > Integration in a low furniture unit and/or in an old fireplace



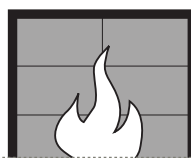
▲ Stûv 21/65H SF



▲ Stûv 21/75 SF



▲ Stûv 21/85 SF



▲ Stûv 21/95 SF



▲ Stûv 21/105 SF



▲ Stûv 21/125 SF



▲ Stûv 21/75 DF



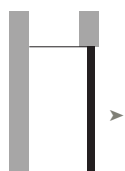
▲ Stûv 21/85 DF



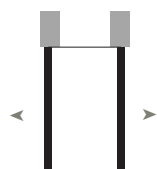
▲ Stûv 21/95 DF



▲ Stûv 21/125 DF



(SF = single-sided stoves)



(DF = double-sided stoves)



The Stûv 21 range

Retractable glass stoves Stûv21 come in various configurations: narrow, square, wide, extra wide, single-sided and double-sided models.

The figure after the oblique indicates the width of the stove (in cm).

▼ Stûv 21/95 single-sided - Interior designer Atelier Blink - Photo Atelier Blink & Jacky Lecouturier



What people say about it...

The owners of this house have entrusted the decoration of this space to Atelier Blink. Here's how they present their approach:



"The owners wanted a simple yet cosy atmosphere, convenient, comfortable and contemporary. It was only natural that we should choose a Stûv. It is primarily their reputation that guided our decision, and its very clean lines appealed to us. The Stûv 21 goes particularly well with this type of very large fireplace. This line was enhanced by a made-to-measure metal plate to extend the stove."

Emilie L., Brussels (Belgium)

▼ Stûv 21/125 single-sided - Architect Vanderperren - Photo Luc Roymans



The house on the water. And inside the house, the fire. This contemporary space is a place for holidays and rest. Back to basics. In this house which is completely open to the outside thanks to its large windows – nature seems almost to

invite itself inside. One can feel the rhythm of the seasons, listen to the rain, enjoy the light, and watch the wind in the leaves.

Between nature and architecture, the flames of this Stûv21/125 seem to have found their ideal home...



An under-floor heating system with heat pump (air/water) was installed. In winter, the Stûv21 provides additional warmth. All areas open onto the 45 m² living room, and the stove can heat the entire house. Also serving as a partition, it creates an intimate space behind it, ideal for the bedroom.

Stûv 21 : a highly efficient stove with a retractable door



The principle

The stove with a retractable glass door (also called guillotine door) is designed to be flush-fitted. The glass slides upwards and disappears behind the masonry; the stove then operates as an open fire, like a hearth.

With the glass door lowered, it works with an excellent efficiency and is completely safe; its exceptionally large glass door provides an ideal view of the fire.

Efficiency and performance

All of the Stûv 21 models achieved excellent results in tests carried out according to European standards. (see p. 54/55)

★ Barbecue kit (see p. 73)

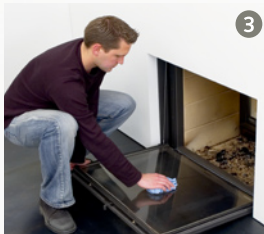
6 good reasons to choose a Stûv 21

1. Very clean lines

A metallic surround of just 4 cm runs around the stove. Its appearance does not change: no slider, no mechanism is visible even when the glass is raised. The formal simplicity allows you to install the Stûv 21 in any style of interior.

2. Partial raising of the glass door

The Stûv 21 is designed to work with the glass door closed or with it in the intermediate position (1). The intermediate position aims to provide an open fire while limiting the risk of backdraughts. In this position, no runners block your view of the fire.



3. Integration into a low space

Partial raising of the glass door also allows the Stûv 21 to be integrated into a low horizontal space. Depending on the model, limiting the travel of the glass reduces the height of the stove by 15 to 25 cm: so you can break away from the traditional vertical form. The fireplace opening is flush with the ground (2) if the depth is sufficient to recess the base. It can also be installed in an old fireplace.

4. Design that benefits the user

The registered patent concerns the tilting door which houses the glass door raising mechanism (3). This design enables easy maintenance: the door tilts in order to clean the glass inside and leaves all the components accessible. No other unit can claim that! Stûv was the first company to accommodate these features.

5. Wall-in a heating system ... ?

Everyone knows that mechanical components such as ball bearings, pulleys, sliders or cables require maintenance or even replacement, especially when they are subjected to high temperatures. Easy access to these items cannot be neglected if you want to avoid serious inconvenience sooner or later (e.g. dismantling of the chimney in case of problems, requiring hours of labour). All mechanical components of Stûv stoves are housed in the door frame and can be reached in a few seconds (4).

6. The opportunity to enjoy barbecues all year round

Barbecue kit (see p. 73).



Accessories which facilitate and improve the finishes

The Stûv 21 can be installed without frames or decorative accessories. The craftsman who carries out the integration of the stove can make full use of his creativity.



Frames

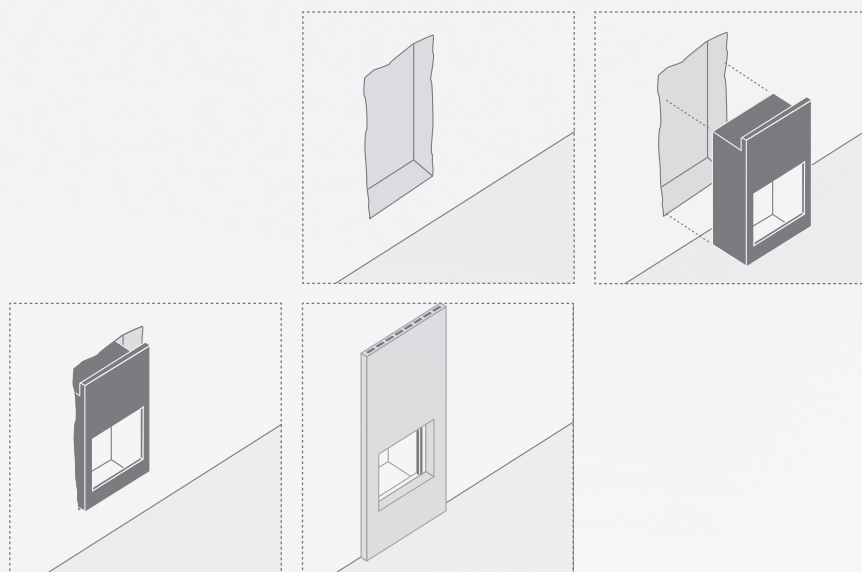
The use of a frame conceals the thickness of the wall where the stove is fitted and allows a minimalist finish to the opening.



Decorative accessories

Decorative accessories can also accentuate the horizontal character of the fire (SF8).





The façades

The façades completely close off the fireplace: no more masonry work or plastering is required after installation of the stove in the fireplace. Additionally, the façade provides partial recessing of the stove, thus reducing the depth of the fireplace.

The façade integrates the convection air outlets in many cases. This solution also offers the benefit of maintaining complete accessibility to the stove and its connection to the smoke flue.





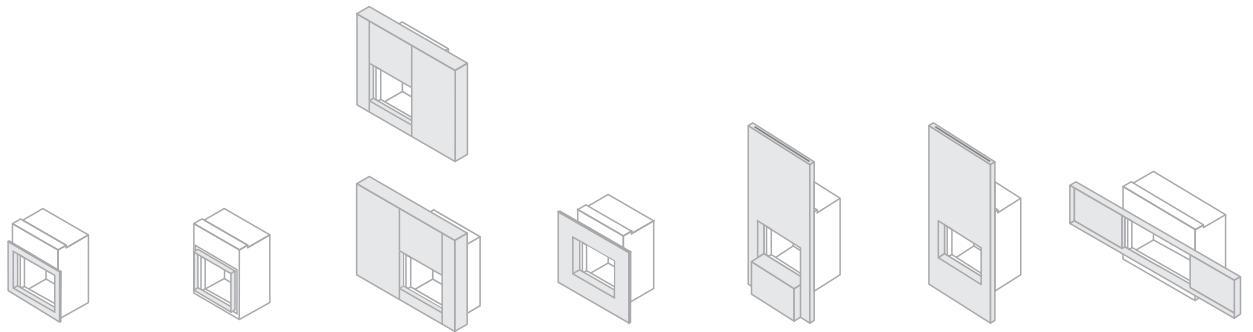
▲ S21/85 - SF4 Frame



▲ S21/85 - SF2 Façade



▲ S21/85 - SF5 Façade



Fitted frame	Fine frame	SF 2	SF 4	SF 5	SF 6	SF 8
21/65H SF	21/65H SF	-	21	-	21/65H SF	-
21/75 SF	21/75 SF	21/75 SF	21/75 SF	21/75 SF	21/75 SF	-
21/85 SF	21/85 SF	21/85 SF	21/85 SF	21/85 SF	21/85 SF	-
21/95 SF	21/95 SF	21/95 SF	21/95 SF	21/95 SF	21/95 SF	-
21/105 SF	21/105 SF	21/105 SF	21/105 SF	21/105 SF	-	21/105 SF
21/125 SF	21/125 SF	21/125 SF	21/125 SF	21/125 SF	21/125 SF	-

(SF) single-sided

The Stûv 30 range

It's magic!

> Modular and easily customisable stoves



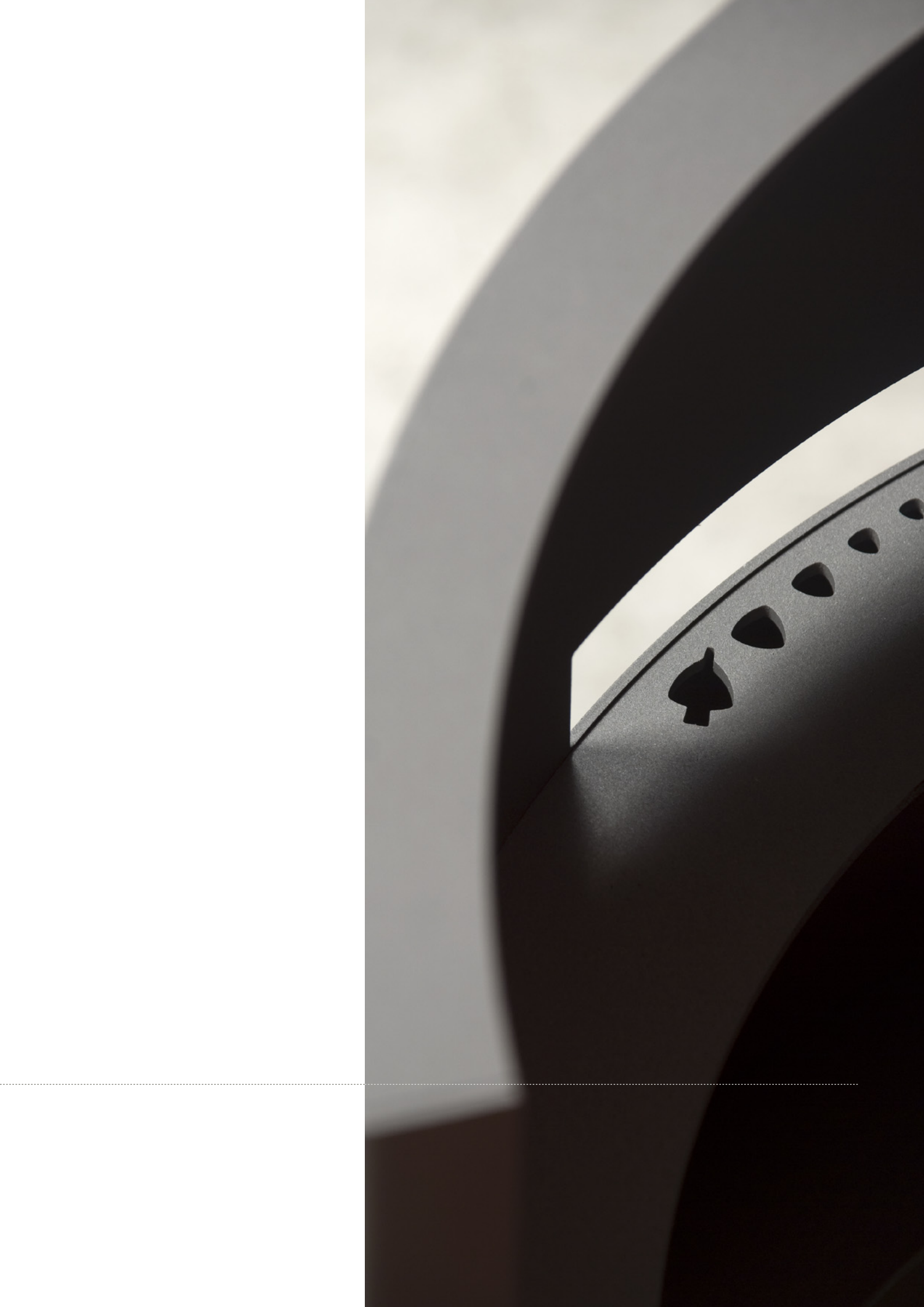
▲ Stûv 30-in



▲ Stûv 30-compact in B



▲ Stûv 30-compact in R







▲ Stûv 30-in - Realisation Cheminée Origine - Photo T. Dujardin

Stûv 30-compact in

Economic

The Stûv30-compact in is specially designed for low-energy or compact houses: it has a smaller combustion chamber and reduced heat output. It therefore only consumes what is necessary!

High efficiency

This stove can achieve efficiency of over 80%! Just a few logs will produce a sufficient heat output.

Ecological

More than ever before, wood-burning systems are an environmentally friendly and sustainable alternative.

The Stûv30-compact in proves this in day-to-day use: its very low fine particle emissions meet the most rigorous standards (DIN+, BlmschV) and make it very clean.

Direct outside air inlet

This is mandatory in passive homes. The stove itself draws the external air required for combustion directly from outside. Once they have burned, the flue gases escape through the flue without disturbing room air.

Convection air

Excellent convection air flow. Depending on the type of configuration, it is no longer necessary to install air inlet and outlet grilles.

- ★ 3 modes: glass-door, open fire and slow-burn ! (see p.11)
- ★ Barbecue kit (see p. 73)

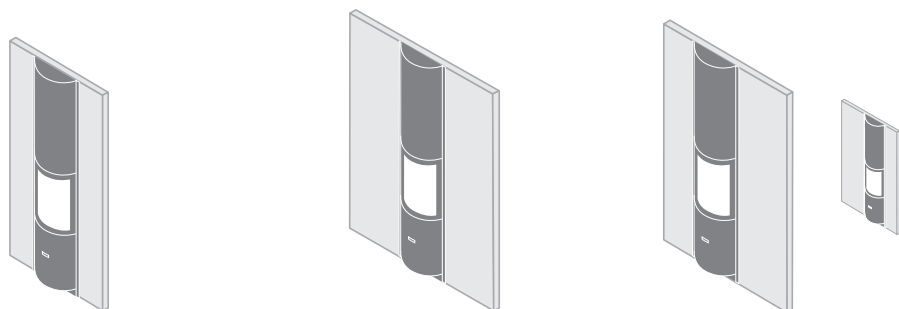
◀ The tall shape of the Stûv 30-compact in enables the stove's slenderness to be accentuated by visually extending it towards the ceiling



A customised stove!

For the façades of the Stûv 30-compact in, you have plenty of choice!

- > Various sizes available
- > 20 different colours (see p.71)
- > Storage accessories
- > Increased personalisation through the integration of the stove



Stûv 30-compact in	SYMMETRIC NARROW	SYMMETRIC WIDE	ASYMMETRIC
	950 X 2000	1550 X 2000	1250 X 2000

The Stûv 30-in : a sophisticated, high-performance stove

Ease of installation

To install a Stûv 30-in, you just provide the recess for framing. No finishing or decoration work required. If it is not possible to build-in the stove or there is no recess, solutions can still be found !

The Stûv 30-in can be fitted with a fan to improve convection, especially if the air has to travel through long ducts.

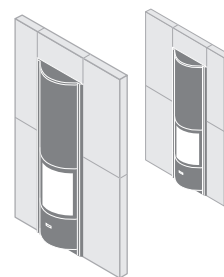
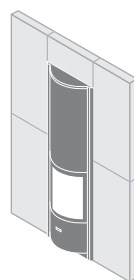
- ★ 3 modes: glass-door, open fire and slow-burn! (see p.11)
- ★ Fresh air inlet and warm air outlet incorporated
- ★ Barbecue kit (see p. 73)
- ★ We recommend that you use dry wood with a moisture content of < 20%.



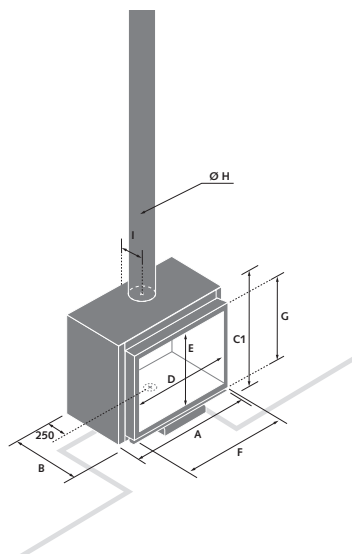
The façades for the Stûv 30-in



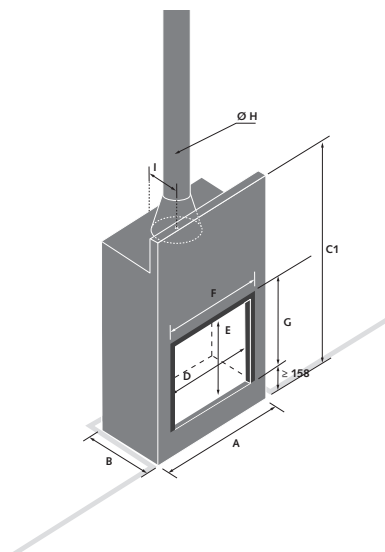
You can choose between 20 different colours; the Stûv colour range runs from a rust-effect to subtle tones that magnify the view of the flames. (see p. 71)



Stûv 30-in	HAB30IN1A	HAB30IN2A	HAB30IN3A / 3D
	1200 x 2300 x 100	1585 x 2300 x 100	1392,5 x 2300 x 100



▲ Stüv 16-in



▲ Stüv 21 (completely raised)

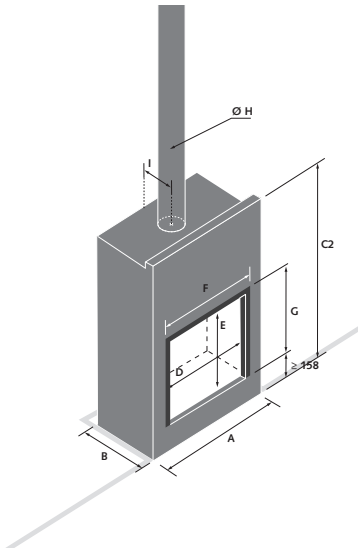


	16/58-in	16/68-in	16/78-in	21/65-H SF	21/75 SF	21/75 DF	21/85 SF	21/85 DF
--	----------	----------	----------	------------	----------	----------	----------	----------

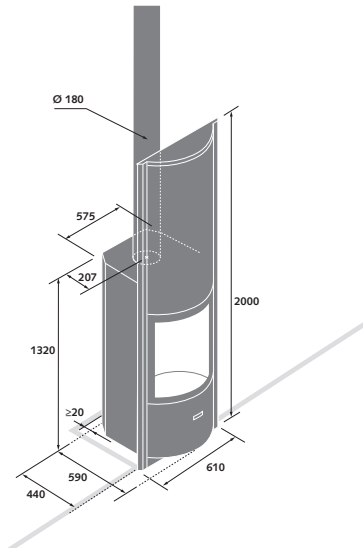
system weight - kg	92	102	112	197	182	187	234	236
power range - kW	6 - 9	7 - 11	8 - 12	8 - 13	8 - 11	9 - 15	8 - 14	11 - 22
(*) wood consumption - kg/h	1,7 - 2,5	2,1 - 3,3	2,4 - 3,6	2,3 - 3,7	2,5 - 3,4	2,8 - 4,7	2,4 - 4,1	3,4 - 6,5
efficiency - %	80	77	75	78	80	71	78	75
CO emissions - %	≤ 0,09			≤ 0,09	≤ 0,09	< 0,30	≤ 0,09	< 0,12
(**) particle emissions (c) - mg/Nm ³	73	72	70	13	26	-	22	15
length of logs V / H - cm	- / 40	- / 50	- / 60	50 / 33	50 / 50	50 / -	50 / 60	- / 60
outside air intake - Ø mm	63			-	-	-	-	-
patent	-			144554				

barbecue kit	-	-	-	o	o	o	o	o
additional fan	o	o	o	o	o	o	o	o

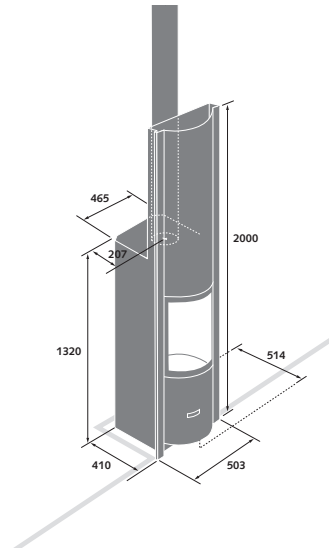
(A) width - mm	580	680	780	650	750	750	850	850
(B) depth - mm	440	440	440	490	490	670	540	670
(C1) max. height - mm	610	610	610	1455	1137	1136	1295	1295
(C2) min. height - mm	-	-	-	1225	1005	1005	1115	1115
(D) width of the glass - mm	448	548	648	470	570	570	670	670
(E) height the glass - mm	421	421	421	615	456	456	535	535
(F) width of opening - mm	520	620	720	584	684	684	784	784
(G) height of opening - mm	493	493	493	683	524	524	603	603
(H) duct diameter - Ø mm	180	180	180	200	180	250	200	250
(I) position of the duct - mm	113	113	113	196	186	336	201	336



▲ Stüv21 (partly raised)



▲ Stüv30-in



▲ Stüv30-compact in



21/95 SF	21/95 DF	21/105 SF	21/125 SF	21/125 DF
292	297	224	305	310
10 - 18	12 - 22	7 - 19	11 - 23	14 - 27
2,9 - 5,1	3,7 - 6,8	2 - 4,1	3,2 - 6,6	4,3 - 8,3
76	72	84	78	72
≤ 0,09	< 0,12	≤ 0,09	< 0,30	< 0,30
18	-	15	-	31
50 / 70	- / 70	33 / 80	50 / 100	- / 100
-	-	-	-	-
144554				

o	o	o	o	o
o	o	o	o	o

950	950	1050	1250	1250
590	670	496	563	670
1455	1455	1040	1295	1295
1225	1225	-	1115	1115
770	770	870	1070	1070
615	615	400	535	535
884	884	984	1184	1184
683	683	469	603	603
250	250	200	300	300
221	336	201	221	336



system weight - kg	125	142
power range - kW	6 - 12	3 - 8
(*) wood consumption - kg/h	1,5 - 3,7	0,8 - 2,3
efficiency - %	84	> 80
CO emissions - %	< 0,09	< 0,10
(**) particle emissions (c) - mg/Nm ³	34	< 40
length of logs V / H - cm	50 / 33	40 / 25
outside air intake - Ø mm	-	63
patent	1130323	
barbecue kit	o	o
3 modes of operation	s	s

*at 12% humidity
 ** measurement method based on DIN +
 SF = single-sided
 DF = double-sided
 V / H = vertical position / horizontal position
 O = option
 S = standard

★ All fitted Stüv are designed to burn wood with a humidity level of less than 20%.
 ★ All fitted Stüv were tested according to EN 13229 CE



-
- ▶ *The Stúv 21 range*
 - ▶ *The Stúv 30 range*

A dark, atmospheric photograph of a fireplace opening in a room. The fireplace is set into a wall, and the interior of the opening is visible, showing a dark, textured surface. The floor is made of large, light-colored tiles. The lighting is low, creating a moody and intimate atmosphere.

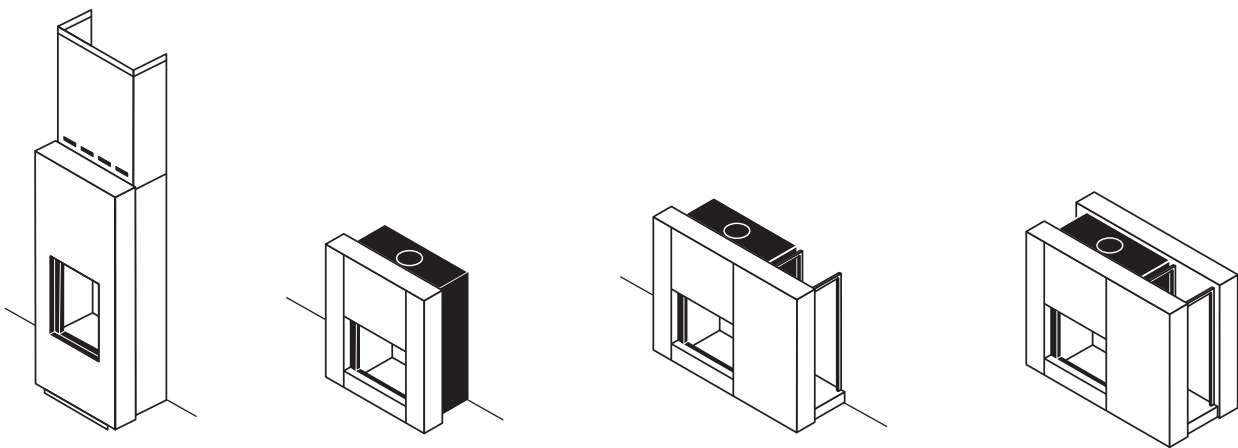
Ready-to-fit fireplaces

Ideal for those who do not want a stove but want to install a fireplace in harmony with their interior, without having to carry out major building work.

The Stûv 21 range

Freedom !

- > The aim of these “ready-to-fit” items is to enhance the stove, and give the fire the prominence it deserves, while enabling you to install a fireplace without the need for brickwork
- > With one or two log storage racks or none at all, whether you prefer a symmetric or asymmetric arrangement, wide or narrow, there is a great variety of solutions to suit your interior
- > Available in 20 different colours
- > Each item is unique



▲ HAB21/SF15

▲ HAB21/SF1

▲ HAB21/SF2

▲ HAB21/DF2



What people say about it...

"I chose Stûv first and foremost because I know some people who bought this make of stove. As for the model, I thought the design was beautiful and it fitted well with the interior of my home. It is actually a very old coach house dating back to the 15th century. I like the contrast between ancient and modern! Especially since I chose this fireplace with a rust effect. My installer gave very good advice and guaranteed that this project would work.

Since it was installed (February 2011), I have lit it every day except on hot summer days. The fire heats very well, it is beautiful and gives me a feeling of calm, of being zen. Moreover, it is very reassuring - when I'm working at home, I leave the glass raised, and I lower it when I leave the house. Heating in this way is also very viable, because I can save energy.

In short, it's very nice in every respect!"

Chris, Ghent (Belgium)





▲ Ready-to-fit fireplace Stûv 211/105 in rusty metal - single-sided - Realisation Decosud Jean-Paul Baeyens - Photo Wouter Baert

Ready-to-fit fireplaces: as easy to install as a stove!

Integrating a stove within the interior design has always been a priority for Stûv!

Most Stûv stoves are designed to be integrated into the building, which can be easily carried out, whether it is a new building or major renovation.

If you are living in your house - or if you want to change the interior style of your home - it is not always possible to carry out major works...

Ready-to-fit fireplaces offer you the solution!

Ready-to-fit fireplaces designed by Stûv provide the answer if:

- > you want to integrate the stove visually into your interior, without there being an old hearth or necessarily wanting to install a stove;
- > you prefer to focus on the fire and enjoy the feelings it gives you rather than the object itself.

They can be installed in just a few hours without major work and integrate attractive features, such as the wood supply holder and convection air inlets and outlets (if you don't like grilles).

These ready-to-fit fireplaces can be disassembled as quickly as they are put up, enabling you to take them with you if you move house.



The very best in ready-to-fit fireplaces!

The ready-to-fit SF15 fireplace for the Stûv21/65 H

Efficient and economical?

The SF15 ready-to-fit fireplace can be fitted with a fan to improve the mixing of room air, enabling the room to be heated up more quickly. It is even possible to extend air circulation to an adjacent room!

Air inlet

- > Controlled addition of outside air ensures economical and safe operation: it improves comfort (the air does not cool the room).
- > The simplicity of installing the fan makes this option even more appealing: better mixing of room air, and therefore quicker heating, more even temperature ...
- > Air outlet for convection, therefore no "decorative" grille.

Accessibility

The height of the fireplace can be adjusted to the height of the ceiling: it conceals the duct if the air outlet goes upwards. It is not essential: you can opt for an exposed duct.

A frame with a thickness of just a few mm!

The most common operations such as raising or lowering the glass and adjusting the damper are directly accessible.



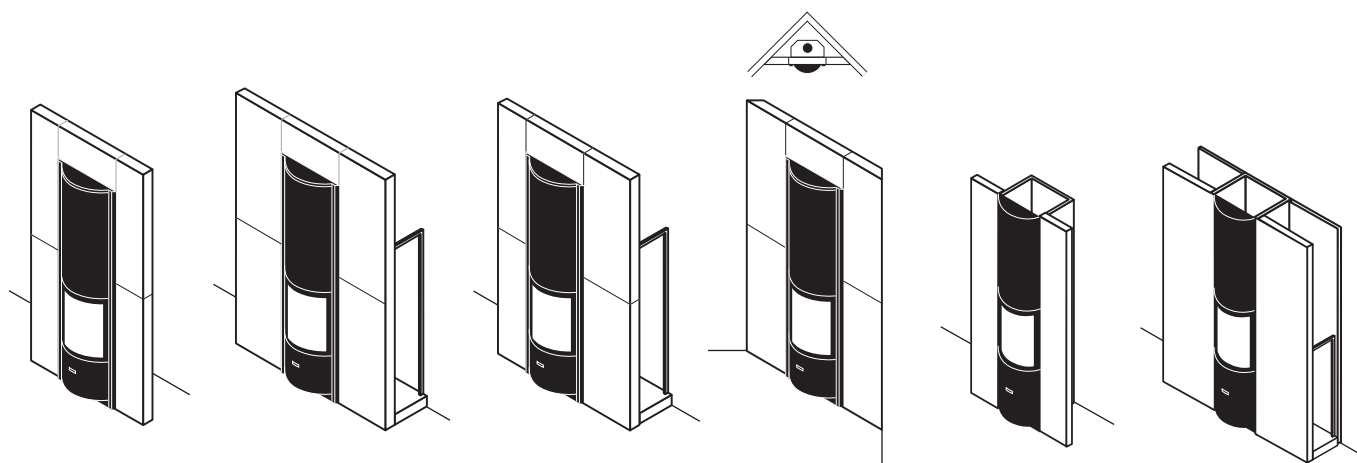
▲ The façade swivels to provide access to the stove's controls and to facilitate maintenance

- ★ Barbecue kit (see p. 73)
- ★ We recommend that you use dry wood with a moisture content of < 20%.
- ★ Technical characteristics: see p. 54/55 - Stûv21/65H



The Stûv 30 range

- > Originally created to showcase our stoves, the ready-to-fit fireplaces quickly became, due to their size and the materials used, objects that emphasised the aesthetic values of Stûv
- > Fireplaces for the Stûv 30 - with 3 revolving doors - provide a symmetric or asymmetric frame for the stove, whether wide or narrow, with one or two log storage units or none at all
- > They are available in 20 different colours
- > A corner solution is also available



▲ HAB30IN1

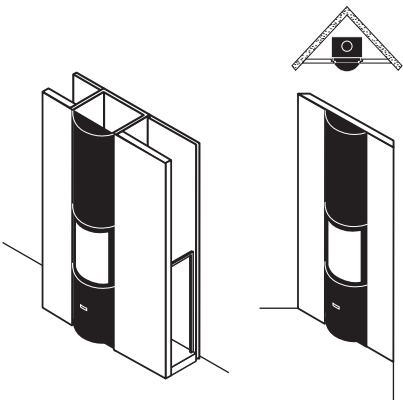
▲ HAB30IN2

▲ HAB30IN3

▲ HAB30IN4

▲ narrow symmetric

▲ wide symmetric



▲ *asymmetric*

▲ *corner*



▲ HAB30IN2 white ready-to-fit fireplace with wood store on the right for the Stúv 30-in stove - Photo Maren Stoever

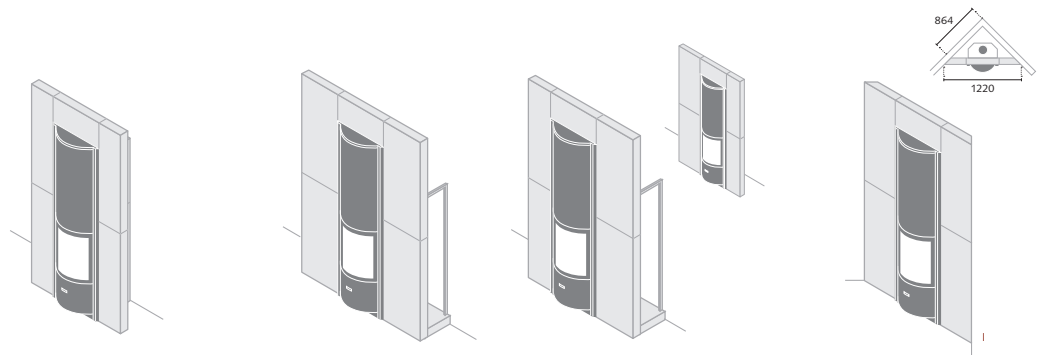
Stûv 30-in fireplaces



Finishes

Most of the cladding and ready-to-fit fireplaces in this brochure are available in 20 different colours. (see p.71)

▲ Ready-to-fit fireplace HAB30IN3A in metal «Stuv grey» finish with wood supply on the right



Stûv 30-in	HAB30IN1	HAB30IN2	HAB30IN3A/3D	HAB30IN4
	1200 x 2300 x 450	1585 x 2300 x 450	1392,5 x 2300 x 450	1220 x 2300 x 864

Stûv 30-compact in fireplaces

Fit your stove into your interior without the need for major brickworking: Metal cladding is available in two widths and can be fitted symmetrically or asymmetrically.

The firebox for kindling and key accessories.



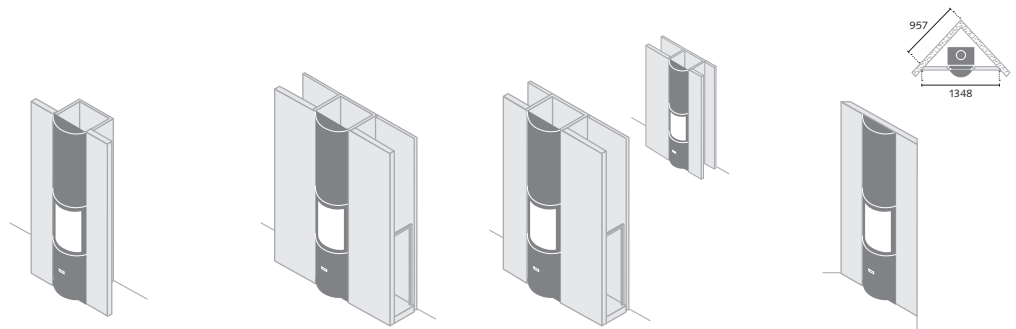
- ★ A barbecue kit to allow you to grill whenever you want, even in winter! (see p.73)
- ★ We recommend that you use dry wood with a moisture content of < 20%.
- ★ Technical characteristics: (see p. 54/55 - Stûv30-compact in).



▲ Stův 30-compact in ready-to-fit fireplace - corner



▲ Stův 30-compact in ready-to-fit fireplace - corner with riser



Stův 30-compact in	SYMMETRIC NARROW	SYMMETRIC WIDE	ASYMMETRIC	CORNER
	950 x 2000 x 445	1250 x 2000 x 445	1550 x 2000 x 445	1348 x 2000 x 957

Longing for some colour(s)?

In collaboration with Belgian artist and colourist Bernard Gilbert, Stûv has selected a series of subtle and contemporary shades that blend particularly well with the colours of the flames.

Like fire, these colours create different moods throughout the day, depending on the type of ambient light.

These matt powder paints are very tough and easy to clean.

These 20 colours are only for the cladding of the stoves, the bases and the ready-to-fit fireplaces.

Your Stûv dealer is the ideal partner to guide you in choosing the colour / hue.





Colour design by Bernard Gilbert - This colour chart is provided for information purposes only and does not form part of a contract.

Want to accessorise ?

The range of accessories designed by Stûv is designed to enhance the functionality of your fireplace and make it easier to use.

Log trolley

Practical and mobile log carts are the ideal solution for storing your wood. Because of their manoeuvrability, you can move them easily. It is the perfect complement for all types of stove!

► 400 x 340 x 1004 mm





The barbecue kit

Give yourself the opportunity to barbecue over a wood fire throughout the year. Healthy, fast cooking, without cooking odours and ... clean!



The firebox (mobilobox)

Designed specifically to complement the Stüv30-compact range, this box enables you to store your utensils (e. g. firelighters, kindling, barbecue grill).

► 400 x 340 x 560 mm





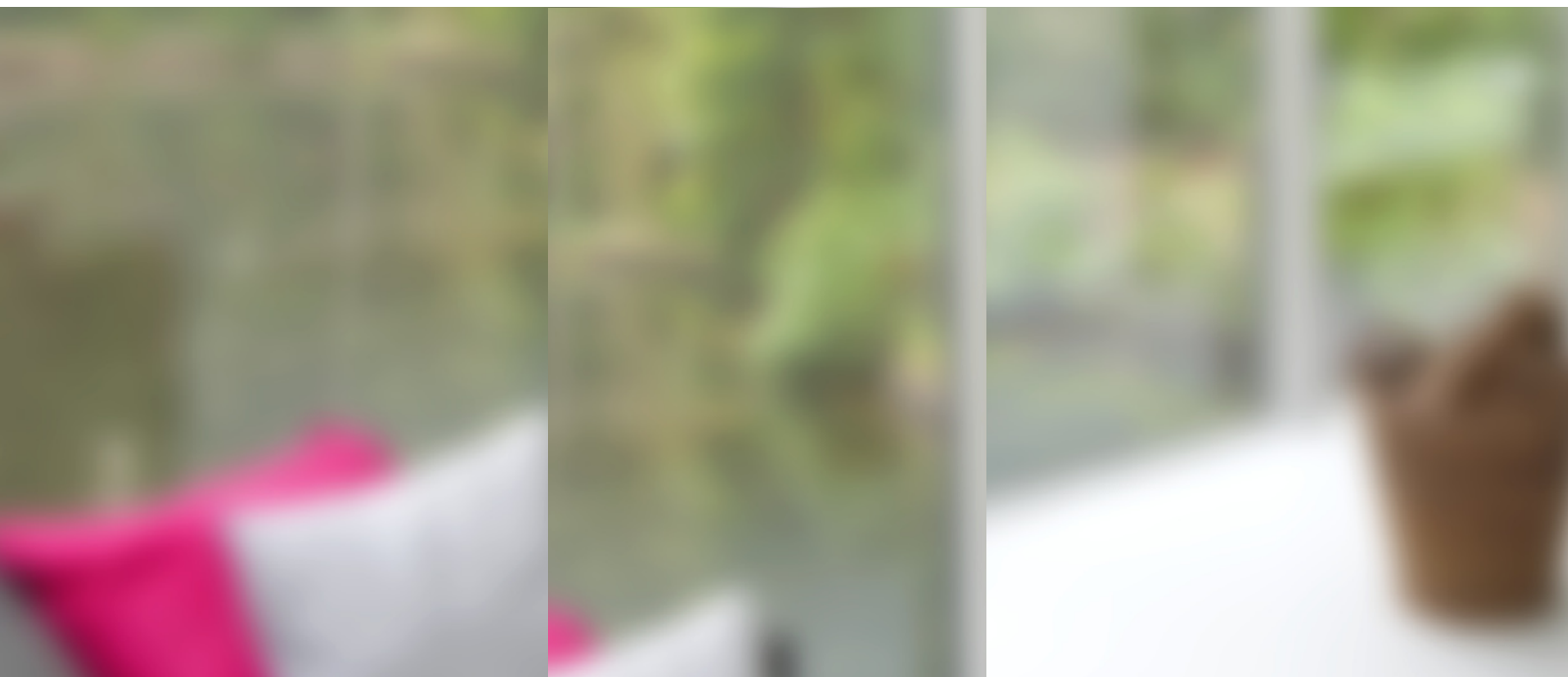
▲ Photo Marie-Françoise Plissart - Architect Pierre Deru



Heating with wood ...

-
- ... is a simple and natural pleasure;
 - ... will help to conserve energy for future generations;
 - ... is clean and economical.

The Stûv best suited to your home



It is important to choose the stove with the heating power best suited to the space to be heated. We will determine the stove that will operate as frequently as possible on high heat, that is to say, in the most economical and environment-friendly way.

How to determine the power required?

The power of a stove is expressed in kW; it indicates the amount of useful heat, which actually heats your home, produced by the stove at all times.

The power needed to heat a room should match the space to be heated. It varies with outside temperature, the volume of the room, its exposure, geographical location, level of building insulation, etc. The type of occupation also has to be taken into account: in a house where there is central heating, you would install a less powerful stove that would regularly operate at its optimal rate and which would be sufficient outside winter, with the central heating only being used in addition in cold weather. Conversely, a higher-powered stove would be needed for a second home that has to be heated quickly at the start of the weekend.

A stove that is too small will not be able to heat (or reheat) the room in cold weather. Alternatively, a stove that is too powerful will often work at a low rate in conditions that are not very beneficial. Sometimes it will overheat the room even at a lower rate. Choosing a 20kW stove where a 10kW model would suffice would be a very bad decision (and investment)!

To determine the Stûv solution best suited to your needs, ask your installer. He will come to check the situation on site - a guarantee of safety for people and for the building - and you can explain how you intend to use your home and he will be able to advise you on your choice.



◀ Photo Luc Roymans - Architect Vanderperren

Efficiency

The performance of the stove shows what percentage of the heat produced by burning the wood actually heats your house: a stove with 80% efficiency uses 80% of the energy from the wood for heating the house. Did you know that a hearth, for example, rarely has efficiency greater than 10%, which means that 90% of the energy consumed goes into the atmosphere!

It is important to understand that the efficiency drops when the stove operates at a lower rate and that combustion is less complete. This is why public authorities, who are committed to fighting global warming, are encouraging the replacement of older low-performance stoves with highly efficient ones.

Smoke

The smoke carries away heat and various gases: they include CO₂, CO, and also fine particles which affect the respiratory tract. In the case of efficient and correctly used stoves, these emissions are very limited; they increase when the efficiency decreases and the combustion is less complete.

To summarise: a stove well suited to the room often works at its optimal rate and therefore with good combustion and good performance; consumption is minimal and emissions into the atmosphere are very low.

Providing a point of comparison

Stûv stoves are officially tested according to European standards EN 13229 (for inserts) or EN 13240 (for stoves) ... As well as checking safety, the laboratories measure power and efficiency and analyse the smoke, enabling consumers and professionals to make valid comparisons of products.

Conditions for good operation



The chimney

The chimney – or its draught, to be more precise – is the most important factor in ensuring your stove works well. The smoke produced by the combustion of the wood – very hot and therefore very light – has a natural propensity to rise. The flue must allow it to disperse.

What makes a good chimney?

It must create sufficient but not excessive draught for the stove to which it is connected.

And what is needed to create this draught?

- > sufficient height,
- > a chimney that is as vertical and straight as possible,
- > a smooth surface that does not prevent the dispersal of smoke,
- > an appropriate size in cross section – preferably round rather than square – and never less than the diameter of the stove's smoke outlet,
- > a thermally insulated flue: if the smoke cools, it loses its upward force and you may have condensation problems; a duct that runs through unheated spaces (attic) or is installed outside must be insulated,
- > a chimney that has a good cover, which ensures a sufficient draught regardless of the direction and speed of the wind.

The dimensions of the chimney will be worked out by your supplier. However, you can get an initial indication by visiting: www.stuv.com

Whatever the answer, have it verified by your supplier.



The combustion of wood consumes air (8 m³ of air is required to burn 1 kg of wood). In older houses, air gets in under the doors and window frames. In modern homes, which have a good level of airtightness, there must be an outdoor air intake located as close as possible to the stove or - even better - directly connected to the stove. We must also consider other consumers of air, such as a cooker hood or ventilation system that can disrupt the operation of the stove (discharge of smoke in the house, risk of putting out the fire). Remember to point out these considerations to your supplier when choosing your stove. He will help you find the best solution.

The perfect partner for your projects: your Stûv dealer!

To make an detailed diagnosis of your fireplace, advise you on your choice of Stûv, suggest original solutions for installing your stove or informing you about any grants or tax breaks available in certain European countries or regions, your Stûv dealer is a reliable and experienced person, whom you should consult at the earliest possible stage of your construction or renovation project. For a list of dealers near your home, visit the site: www.stuv.com

Extended warranty!

The statutory warranty is for two years. On its own stoves, Stûv offers a warranty of 3 or 5 years (depending on the parts). To qualify, there is just one condition: you must return the completed warranty form! See www.stuv.com for more details.



Which wood to choose ?

Good wood!

The various species of wood have different heat capacities and do not all burn the same way. In general, it's preferable to opt for hardwoods such as oak, beech, ash, hornbeam or fruit trees: they produce lovely flames and lots of embers which glow for a long time.



▲ The moisture meter enables you to measure the wood's humidity level

Drying

Whichever wood you choose, it must have a moisture content below 20 % ; damp wood heats far less because a lot of energy is used just to evaporate the water it contains. Sapwood - which is what the young wood immediately under the bark is called - may hold as much as 75% water. Moist wood also releases a lot of smoke, produces few flames and causes the stove, its glass door and the chimney to get dirty and soot up. To promote drying, it is important that large logs are split; the wood should be covered or protected from the rain, but well ventilated. Generally speaking, you should allow two years for the wood to dry properly. With experience, you will appreciate the dryness from the weight the logs: the drier they are, the lighter they are, and they produce a clear sound when you bang them against each other.

Unsuitable

Wood that has been treated with chemicals, railway sleepers or chipboard quickly dirties the appliance, soots up the chimney and may produce toxic fumes.



1



Beech (1), and ash

The firewood of choice! They dry quickly and are easy to find. They should be stored under cover as soon as they have been cut or split, otherwise they rot very quickly and lose their heat capacity. They are easy to light, provide good fires and bright flames.

2



Oak (2)

This is an excellent fuel, but - unlike other wood - must remain uncovered for two years while the rain leaches out the tannins it contains; then it must be stored under cover for a year or two before burning. There is a significant proportion of sapwood (which burns too quickly) in small branches. Oak burns slowly, offering a quiet fire and produces great embers. It is ideal for a barbecue and for slow burning.

3



Hornbeam (3), yellow birch (4), fruit trees

These are excellent fuels - they are hard woods - but they are rare ... They offer beautiful flames, a harmonious, quiet fire and produce fine embers. Ideal for a barbecue and for slow burning.

5



Birch (5), lime, chestnut, poplar, robinia, acacia

These are deciduous softwood trees. They offer beautiful, harmonious but bright flames, and few embers. They burn quickly; you use them to (re-) start the fire. Please note: poplar produces abundant and volatile embers. Robinia and acacia can cause embers to spit.

Conifer

They give off much heat but burn away quickly; they cause embers to spit and the resins they contain make chimneys dirty. They should be avoided.

The company



▲ Stûv 60, the first Stûv

A brief history ...

In 1983, Stûv consisted of two men: Gérard Pitance and Benoît Lafontaine decided to join forces to develop and produce a very special wood stove - the Stûv 60 - designed by Gérard Pitance (a designer by trade). In its infancy the company operated as a design consultancy, responsible only for product design. Their capital: creativity and motivation! They subcontracted production of the components and handled assembly and installation themselves. Gradually, the company specialised in wood-burning heating and grew exponentially. It created new concepts for stoves, forging partnerships and extending its range of skills to become a benchmark in this sector.

"A quality product, timeless design, created for the enjoyment of users"

As the company had no laboratory or sophisticated measuring devices, or even a computer, the Stûv 60 was developed with common sense and observation. But the goals then were the same as they are today: to combine enjoyment of a real fire, timeless design and an efficient method of heating! The design of Stûv stoves is typified by clean lines and simplicity, intended to fit perfectly into users' everyday environment.

People are our key concern

First users, who naturally wish to receive correct information and acquire a quality product that suits their needs and desires. And so too the distributors who advise you, the engineers who install the stoves and maintain them in tip-top condition. And, of course, the employees who manufacture the stoves in our workshops ...



▲ Photo Jean-Luc Laloux

Stûv, in figures

- 120 employees
- A 5,000 m² site in Bois-de-Villers (Belgium), dedicated to administration and manufacture of the stoves
- A 3,500 m² site in Floreffe (Belgium), home to the R&D department and some production activities
- 15,000 stoves and 4,000 housings per year
- turnover of 25 million euros per year (2011)
- Over 70% of production goes for export (France, Italy, Netherlands, Spain, Portugal, Czech Republic, Canada, Poland)
- A network of over 500 dealers
- A large number of awards garnered over the years: Concours Lépine (Paris), Batimat Design Award (Paris), Grand Prix Wallonie à l'exportation (Belgium), Business of the Year 2006 (Belgium) Prix Supergazelle namuroise 2011 (Belgium), etc...

Environment and performance

Stûv has always produced high-performance stoves, which means transforming as much energy from the combustion of wood into heat as possible. It comes down to economics. But it's also a question of ecology, because these stoves emit less heat and smoke into the atmosphere. Recently, to be allowed to continue marketing the Stûv60, which was developed almost 30 years ago, Stûv had to submit the stove to official tests according to increasingly demanding European standards: they measured efficiency at a highly competitive 75%!

Now more than ever, the founding values of Stûv – design, performance, ecology and enjoyment of a real fire – continue to guide our research. Stûv seeks innovative solutions to integrate renewable energy into the heating systems of the future and make stoves part of a new, sustainable architecture, taking advantage of all natural resources in order to offer users the sensuous warmth that comes from heating with natural wood...

Stûv stoves are designed and manufactured by:

Stûv sa - rue Jules Borbouse 4
B-5170 Bois-de-Villers (Belgium)
T +32 (0)81 43 47 96 - F +32 (0)81 43 48 74
info@stuv.com - www.stuv.com

Stûv stoves are distributed by:

[EN] - 01/2013 - This catalog replaces the
catalog 02/2012

- Design & communication: Médiane www.mediane.be
 - Photos: Médiane (O. Vandentempel)
Unless otherwise indicated
 - Communications Manager: Serge Alhadef
 - Editor: Gérard Pitance
 - This document and photos have no contractual value:
Stûv reserves the right to make changes without notice.
This documentation has been prepared with the utmost
care. However, we admit no responsibility for any error
that may have crept into it.
 - This brochure was printed in Belgium on paper which is
PEFC certified.
-